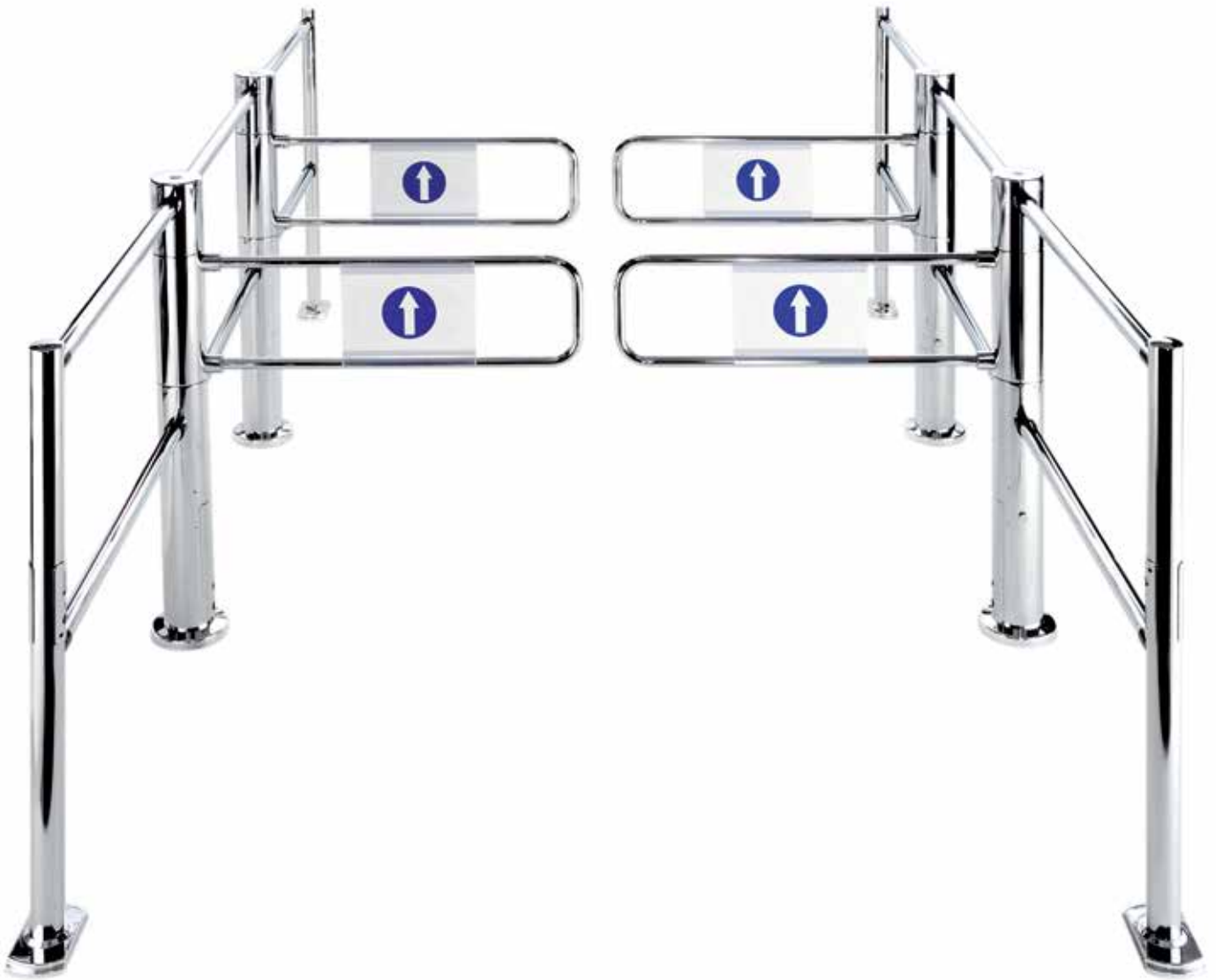


Overgate 3.0 Photocell passageway



Available with:



tubular arms



polycarbonate arms

OverGate 3.0 puts an end to the game or the "profession" of not paying the bill. Photocells authorize entrance and, without hesitation, block attempted exits of shoplifters, activating alarms, closing arms and warning that something strange is happening.

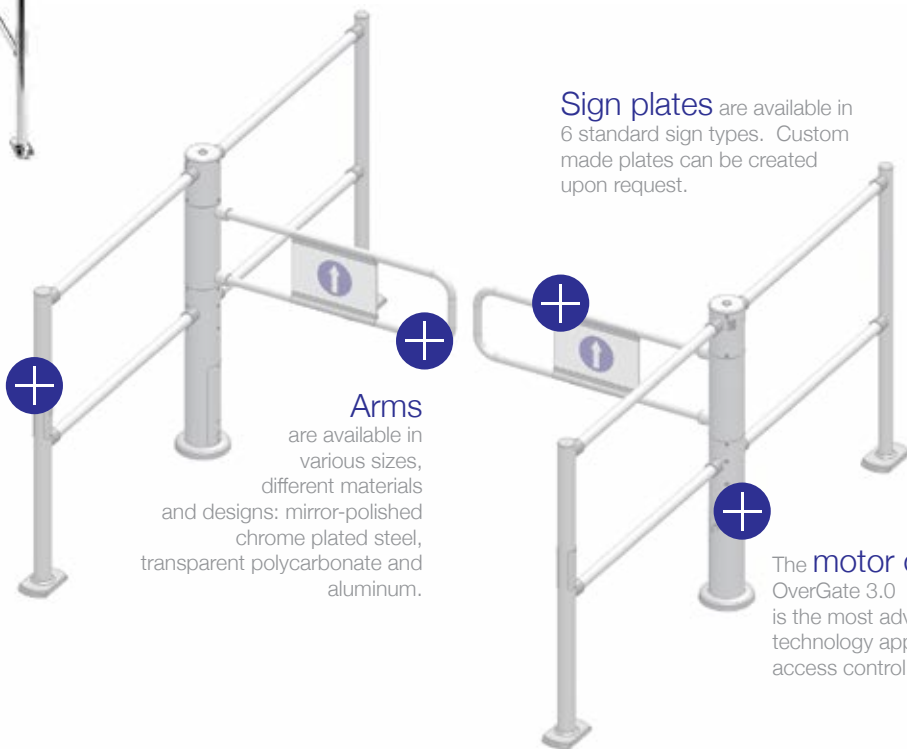
Photocells, yes. Because we use them a lot, because they are useful ... for every occasion.

They open the door, but also set off an alarm in case anyone attempts any extravagant exits. They understand that you have transited and take note of it.

They also understand if you cannot find the receipt and keep the gate open long enough for you to find it. And they hardly ever make a mistake.



The photocell/reflector uprights in chrome plated steel are easily transformed from right to left and vice-versa.




Sign plates are available in 6 standard sign types. Custom made plates can be created upon request.

Arms are available in various sizes, different materials and designs: mirror-polished chrome plated steel, transparent polycarbonate and aluminum.

The motor column OverGate 3.0 is the most advanced Italian technology applied to access control.

our customers ...

Auchan, Coop Italia, Esselunga, Tigros, Iperal, Conad, Expert, Unieuro, Bricoman, LeroyMerlin, Iper la grande "I", Famila, Despar, E.Leclerc, Intermarché, Carrefour, DIA%, Aldi, Metro, Globus, Real, Bauhaus, Continente, Rewe, Penny Market.

All information regarding: uprights, bars, plastics and spare-parts...
from page 56 



basic composition photocell passageway

single



right passageway

includes:
OverGate 3.0 base; arm and signe plate; single photocell kit.
Weight: 45 kg.



left passageway

includes:
OverGate 3.0 base; arm and signe plate; single photocell kit
Weight: 45 kg.

↑	900 mm	1150 mm	900 mm	1150 mm
	code 232 895 010	code 232 896 010	code 232 895 110	code 232 896 110
↑	600 mm	900 mm	600 mm	900 mm
	code 832 895 010	code 832 896 010	code 832 895 110	code 832 896 110

back lane



right passageway

includes:
OverGate 3.0 base; arm and signe plate; single photocell kit; single back lane kit.
Weight: 60 kg.



left passageway

includes:
OverGate 3.0 base; arm and signe plate; single photocell kit; single back lane kit.
Weight: 60 kg.

↑	900 mm	1150 mm	900 mm	1150 mm
	code 232 897 010	code 232 898 010	code 232 897 110	code 232 898 110
↑	600 mm	900 mm	600 mm	900 mm
	code 832 897 010	code 832 898 010	code 832 897 110	code 832 898 110

tandem



right passageway

includes: 2 OverGate 3.0 base; 2 arms and sign plates; single photocell+photocell tandem kit; single back lane kit
Weight: 95 kg.



left passageway

includes: 2 OverGate 3.0 base; 2 arms and sign plates; single photocell+photocell tandem kit; single back lane kit
Weight: 95 kg.

↑	900 mm	1150 mm	900 mm	1150 mm
	code 233 895 010	code 233 896 010	code 233 895 110	code 233 896 110
↑	600 mm	900 mm	600 mm	900 mm
	code 833 895 010	code 833 896 010	code 833 895 110	code 833 896 110

Components: codes and technical specifications

kits	page 52	➔
arms	page 48	➔
sign plates	page 51	➔
uprights	page 57	➔
sleeves	page 60	➔

other usefull kit

p/c + reflector kit double tandem gate	code	242 858 526
p/c + adhesive single tandem gate reflector kit	code	242 858 522
motor column reflector kit	code	242 858 527
remote control kit (radio)	code	802 500 028
desktop remote control unit kit	code	242 858 501
anti-crash iron button	code	802 500 014



tubular arms



polycarbonate arms

01



double passageway
includes:
2 OverGate 3.0 base; 2 arms and sign plates; double photocell kit.
Weight: 75 kg.

900 mm	1150 mm
code 232 895 210	code 232 896 210

600 mm	900 mm
code 832 895 210	code 832 896 210



next lane passageway
includes:
OverGate 3.0 base; arm and sign plate; next lane photocell kit.
Weight: 40 kg.

900 mm	1150 mm
code 332 858 001	code 332 858 002

600 mm	900 mm
code 332 858 007	code 332 858 008



double passageway
includes:
2 OverGate 3.0 base; 2 arms and sign plates; double photocell kit; double back lane kit.
Weight: 90 kg.

900 mm	1150 mm
code 232 897 210	code 232 898 210

600 mm	900 mm
code 832 897 210	code 832 898 210



next lane passageway
includes:
OverGate 3.0 base; arm and sign plate; next lane photocell kit; next lane back lane kit.
Weight: 50 kg.

900 mm	1150 mm
code 332 858 003	code 332 858 004

600 mm	900 mm
code 332 858 009	code 332 858 010



double passageway
includes: 4 OverGate 3.0 base; 4 arms and sign plates; double photocell+photocell tandem kit; double back lane kit.
Weight: 155 kg.

900 mm	1150 mm
code 233 895 210	code 233 896 210

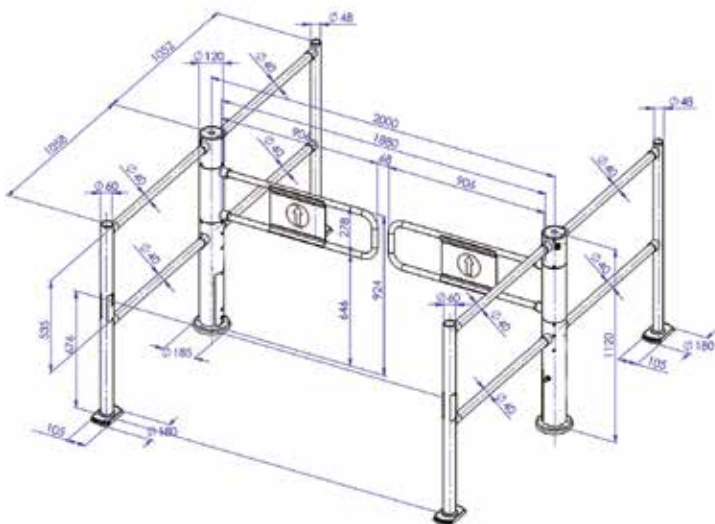
600 mm	900 mm
code 833 895 210	code 833 896 210



next lane passageway
includes: 2 OverGate 3.0 base; 2 arms and sign plates; next lane photocell+photocell tandem kit; next lane back lane kit.
Weight: 75 kg.

900 mm	1150 mm
code 332 858 005	code 332 858 006

600 mm	900 mm
code 332 858 011	code 332 858 012



Change the sleeves colour

In all codes on this page, the second digit indicates the colour of the plastic sleeve in the gate kit:
3 means **black** plastic; **5** means **gray** plastic;
8 means **chrome plated** plastic.

Example:

single right passageways with tubular chrome plated 900 mm arm

code **232 895 010** = black plastic sleeves

code **252 895 010** = gray plastic sleeves

code **282 895 010** = chrome plated plastic sleeves

Codes on page 60

